

# COLUMN CAPITALS



	A	B	C
R-CAPIT-C-8"	6 1/2"	9 1/4"	11 1/2"
R-CAPIT-C-10"	8 1/8"	10 7/8"	14"
R-CAPIT-C-12"	10 1/4"	13 3/8"	19 1/4"

	A	B	C
R-CAPIT-G-8"	6 1/8"	3 1/2"	7 1/4" x 7 1/4"
R-CAPIT-G-10"	8 1/8"	4 7/8"	10 1/4" x 9 3/4"
R-CAPIT-G-12"	10 1/4"	5 1/2"	12 1/4" x 12 1/4"



	A	B	C
R-CAPIT-M-8"	6 1/2"	10 1/4"	14 1/2"
R-CAPIT-M-10"	8 1/4"	11 3/4"	14 3/8"
R-CAPIT-M-12"	10 1/4"	12 1/8"	17 1/8"

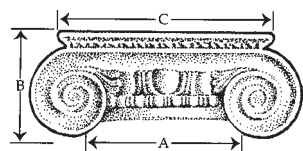
	A	B	C
R-CAPIT-R-8"	6 1/8"	3"	7 3/4" x 7 1/2"
R-CAPIT-R-10"	8 1/8"	4 1/8"	9 3/4" x 10 3/4"
R-CAPIT-R-12"	10 1/8"	4 3/4"	12 3/8" x 13 1/4"



	A	B	C
R-CAPIT-T-8"	6 1/8"	7 3/4"	10 3/8"
R-CAPIT-T-10"	8 1/8"	9 3/4"	13 1/2"
R-CAPIT-T-12"	10 1/4"	11 3/8"	16 3/8"

	A	B	C
R-CAPIT-S-8"	6 1/4"	2 7/8"	9 1/2"
R-CAPIT-S-10"	8 1/4"	3 1/2"	13"
R-CAPIT-S-12"	10 1/8"	4 1/8"	16 1/2"

## How to Order ResinArt capitals:



**A**=Base **B**=Height  
**C**=Abacus

To assure a proper fit simply measure the top diameter of your column (see "A" in diagram) and match it to the bottom diameter of the capitals.

Column Material has been tested for smoke development and flame spread under test standard: ASTM E84. Also, all ResinArt Columns have been tested for load bearing capability. Documentation available upon request.

### WARRANTIES

ResinArt Guarantees its DuraCraft Columns™ for the "lifetime" of ownership. Our warranty insures that DuraCraft Columns™ are not defective in material and/or workmanship. The "Lifetime Limited Warranty" is effective as long as the original purchaser owns the structure to which the column was originally and properly installed according to ResinArt's column installation instructions.

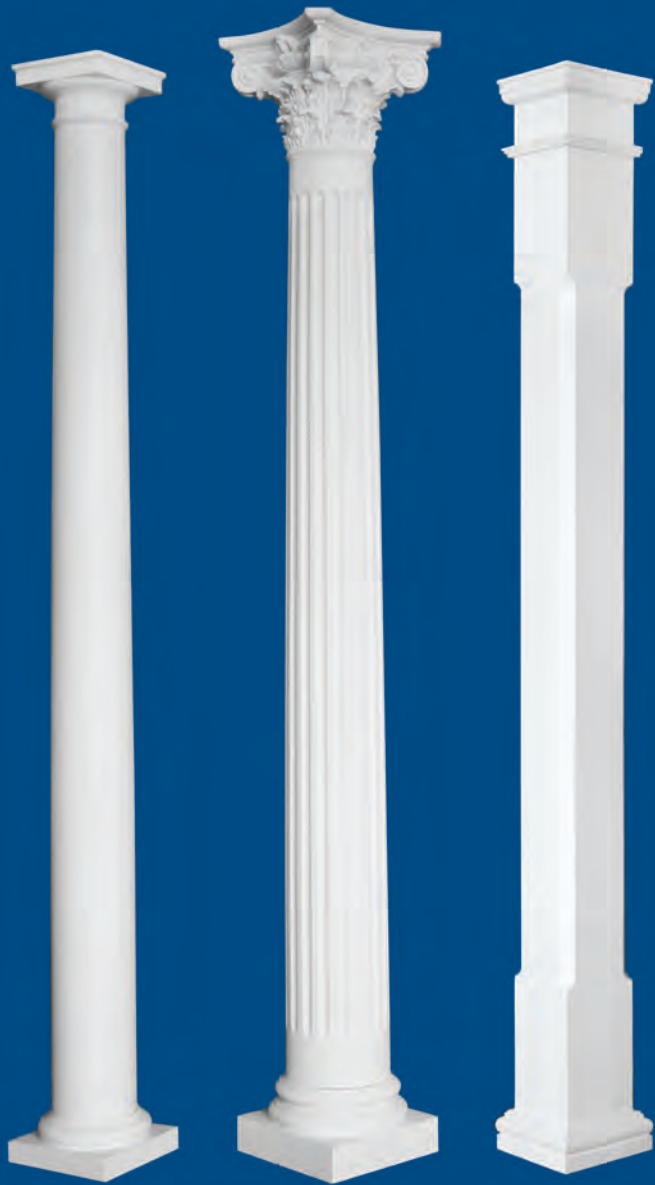
ResinArt East, Inc. will be solely responsible for determining whether to repair or replace its products that have not met performance standards due to material and/or workmanship deficiencies. ResinArt East, Inc. "Limited Lifetime Warranty" will cover up to the original cost of the product in question.

ResinArt East, Inc. "Limited Lifetime Warranty" does not cover damages resulting from the replacement of a substandard product. The "Limited Lifetime Warranty" will be in effect so long as the customer uses ResinArt East, Inc. products in a manner consistent with design capacities of the item.

THE PROFESSIONALS CHOICE

# DURACRAFT COLUMNS



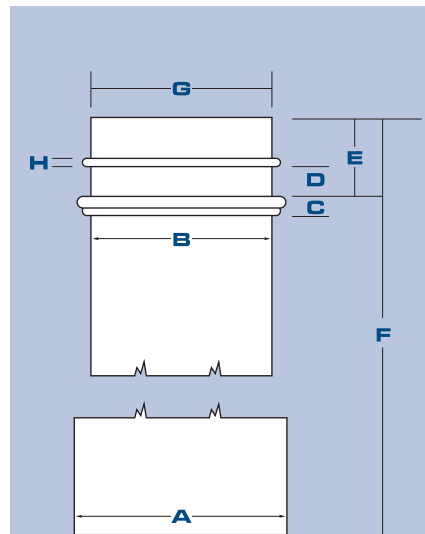


Round

Fluted

Square

- Load Bearing
- Will not rot, bow, or crack, and are substantially more impact resistant than wood.
- No priming necessary for painting.
- Quick and easy to install.
- Maintenance free.
- Tapered in the Greek Tradition.



- A** Bottom Diameter
- B** Top Diameter
- C** Ring
- D** Neck to 1st Ring
- E** Neck Height
- F** Overall Height
- G** Neck Diameter
- H** Ring
- I** Taper starts from bottom

FITS COLUMN DIAMETER

DURACRAFT	8"	10"	12"
LOAD LIMIT	12,000 lbs. MAX	16,000 lbs. MAX	20,000 lbs. MAX

## SQUARE COLUMNS

	COLUMN SIZE	ACTUAL WIDTH	CAP WIDTH	CAP HEIGHT	BASE WIDTH	BASE HEIGHT	TOTAL LENGTH	CHAMFER STARTS
R-SQCOL-S-8 x 8,10,12	8" sq.	7 <sup>3</sup> / <sub>4</sub> "	10"	2 <sup>1</sup> / <sub>4</sub> ,2 <sup>1</sup> / <sub>2</sub> ,3"	10"	3 <sup>1</sup> / <sub>2</sub> ,4,4 <sup>1</sup> / <sub>2</sub> "	8,10,12'	16"
R-SQCOL-S-10 x 8,10,12	10" sq.	9 <sup>3</sup> / <sub>4</sub> "	12"	2 <sup>1</sup> / <sub>4</sub> ,2 <sup>1</sup> / <sub>2</sub> ,3"	12"	3 <sup>1</sup> / <sub>2</sub> ,4,4 <sup>1</sup> / <sub>2</sub> "	8,10,12'	17"
R-SQCOL-S-12 x 8,10,12	12" sq.	11 <sup>3</sup> / <sub>4</sub> "	14"	2 <sup>1</sup> / <sub>4</sub> ,2 <sup>1</sup> / <sub>2</sub> ,3"	14"	3 <sup>1</sup> / <sub>2</sub> ,4,4 <sup>1</sup> / <sub>2</sub> "	8,10,12'	18"

Square columns available with or without chamfer

## ROUND COLUMNS/FLUTED

	COLUMN SIZE	A	B	C	D	E	F	G	H	I
R-COLUM-S-8 x 8	8" x 8'	7 <sup>3</sup> / <sub>4</sub> "	6 <sup>1</sup> / <sub>4</sub> "	1"	1 <sup>1</sup> / <sub>2</sub> "	4 <sup>7</sup> / <sub>8</sub> "	96"	6 <sup>1</sup> / <sub>4</sub> "	3 <sup>3</sup> / <sub>8</sub> "	33"
R-COLUM-S-8 x 9	8" x 9'	8 <sup>3</sup> / <sub>4</sub> "	6 <sup>1</sup> / <sub>4</sub> "	1"	1 <sup>1</sup> / <sub>2</sub> "	4 <sup>7</sup> / <sub>8</sub> "	108"	6 <sup>1</sup> / <sub>4</sub> "	3 <sup>3</sup> / <sub>8</sub> "	30"
R-COLUM-S-8 x 10	8" x 10'	7 <sup>3</sup> / <sub>4</sub> "	6 <sup>1</sup> / <sub>4</sub> "	1"	1 <sup>1</sup> / <sub>2</sub> "	4 <sup>7</sup> / <sub>8</sub> "	120"	6 <sup>1</sup> / <sub>4</sub> "	3 <sup>3</sup> / <sub>8</sub> "	42"
R-COLUM-S-10 x 8	10" x 8'	9 <sup>3</sup> / <sub>4</sub> "	8"	1"	1 <sup>1</sup> / <sub>2</sub> "	5 <sup>1</sup> / <sub>2</sub> "	96"	8"	3 <sup>3</sup> / <sub>8</sub> "	33"
R-COLUM-S-10 x 9	10" x 9'	8 <sup>3</sup> / <sub>4</sub> "	8"	1"	1 <sup>1</sup> / <sub>2</sub> "	5 <sup>1</sup> / <sub>2</sub> "	108"	8"	3 <sup>3</sup> / <sub>8</sub> "	30"
R-COLUM-S-10 x 10	10" x 10'	9 <sup>3</sup> / <sub>4</sub> "	8"	1"	1 <sup>1</sup> / <sub>2</sub> "	5 <sup>1</sup> / <sub>2</sub> "	120"	8"	3 <sup>3</sup> / <sub>8</sub> "	42"
R-COLUM-S-10 x 12	10" x 12'	9 <sup>3</sup> / <sub>4</sub> "	8"	1"	1 <sup>1</sup> / <sub>2</sub> "	5 <sup>1</sup> / <sub>2</sub> "	144"	8"	3 <sup>3</sup> / <sub>8</sub> "	48"
R-COLUM-S-12 x 8	12" x 8'	11 <sup>3</sup> / <sub>4</sub> "	10"	1"	1 <sup>1</sup> / <sub>2</sub> "	6"	96"	10"	3 <sup>3</sup> / <sub>8</sub> "	33"
R-COLUM-S-12 x 9	12" x 9'	8 <sup>3</sup> / <sub>4</sub> "	10"	1"	1 <sup>1</sup> / <sub>2</sub> "	6"	108"	10"	3 <sup>3</sup> / <sub>8</sub> "	30"
R-COLUM-S-12 x 10	12" x 10'	11 <sup>3</sup> / <sub>4</sub> "	10"	1"	1 <sup>1</sup> / <sub>2</sub> "	6"	120"	10"	3 <sup>3</sup> / <sub>8</sub> "	42"
R-COLUM-S-12 x 12	12" x 12'	11 <sup>3</sup> / <sub>4</sub> "	10"	1"	1 <sup>1</sup> / <sub>2</sub> "	6"	144"	10"	3 <sup>3</sup> / <sub>8</sub> "	48"

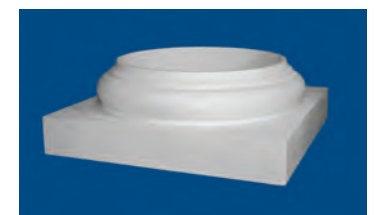
For 8" Fluted Column: Flutes start 8" up from bottom and 2" down from C Ring  
 For 10" Fluted Column: Flutes start 10" up from bottom and 2" down from C Ring  
 For 12" Fluted Column: Flutes start 10" up from bottom and 2" down from C Ring

## TUSCAN CAP & BASE



Tuscan - U-Cap 6" to 18"

	BASE	COL. DIA.	HT.
R-TUSCN-S-8CAP	9 <sup>3</sup> / <sub>8</sub> "	8"	2 <sup>7</sup> / <sub>8</sub> "
R-TUSCN-S-10CAP	11 <sup>1</sup> / <sub>4</sub> "	10"	3 <sup>1</sup> / <sub>2</sub> "
R-TUSCN-S-12CAP	14 <sup>1</sup> / <sub>4</sub> "	12"	4"



	BASE	COL. DIA.	HT.
R-TUSCN-S-8BAS	10 <sup>1</sup> / <sub>4</sub> "	8"	4 <sup>1</sup> / <sub>4</sub> "
R-TUSCN-S-10BAS	13 <sup>1</sup> / <sub>4</sub> "	10"	5 <sup>1</sup> / <sub>2</sub> "
R-TUSCN-S-12BAS	16 <sup>1</sup> / <sub>2</sub> "	12"	6"

## ATTIC BASE

	BASE	COL. DIA.	HT.
R-MSAT-S-8"	10 <sup>3</sup> / <sub>8</sub> "	8"	6"
R-MSAT-S-10"	12 <sup>3</sup> / <sub>4</sub> "	10"	7"
R-MSAT-S-12"	15 <sup>1</sup> / <sub>2</sub> "	12"	8"

